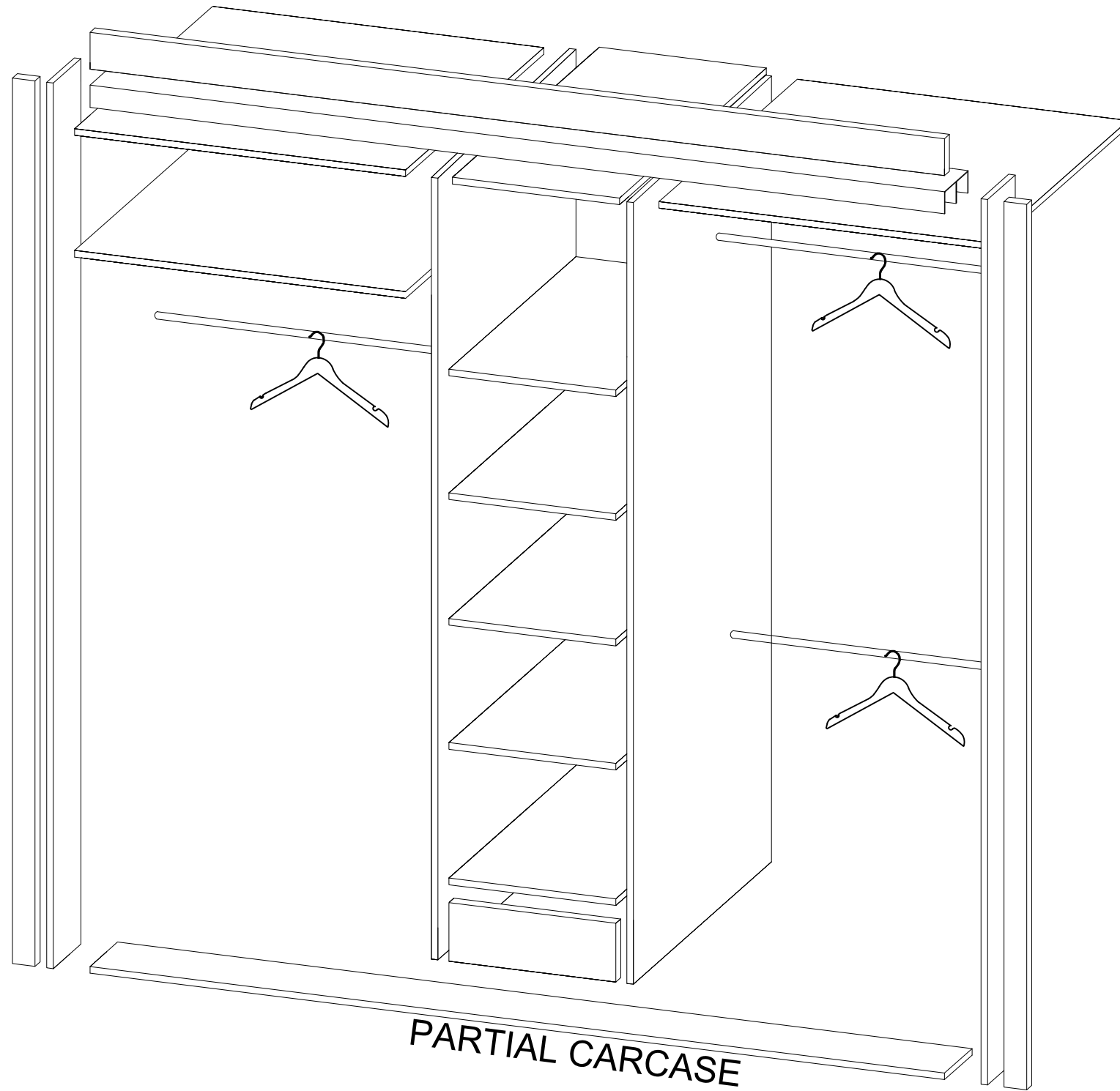
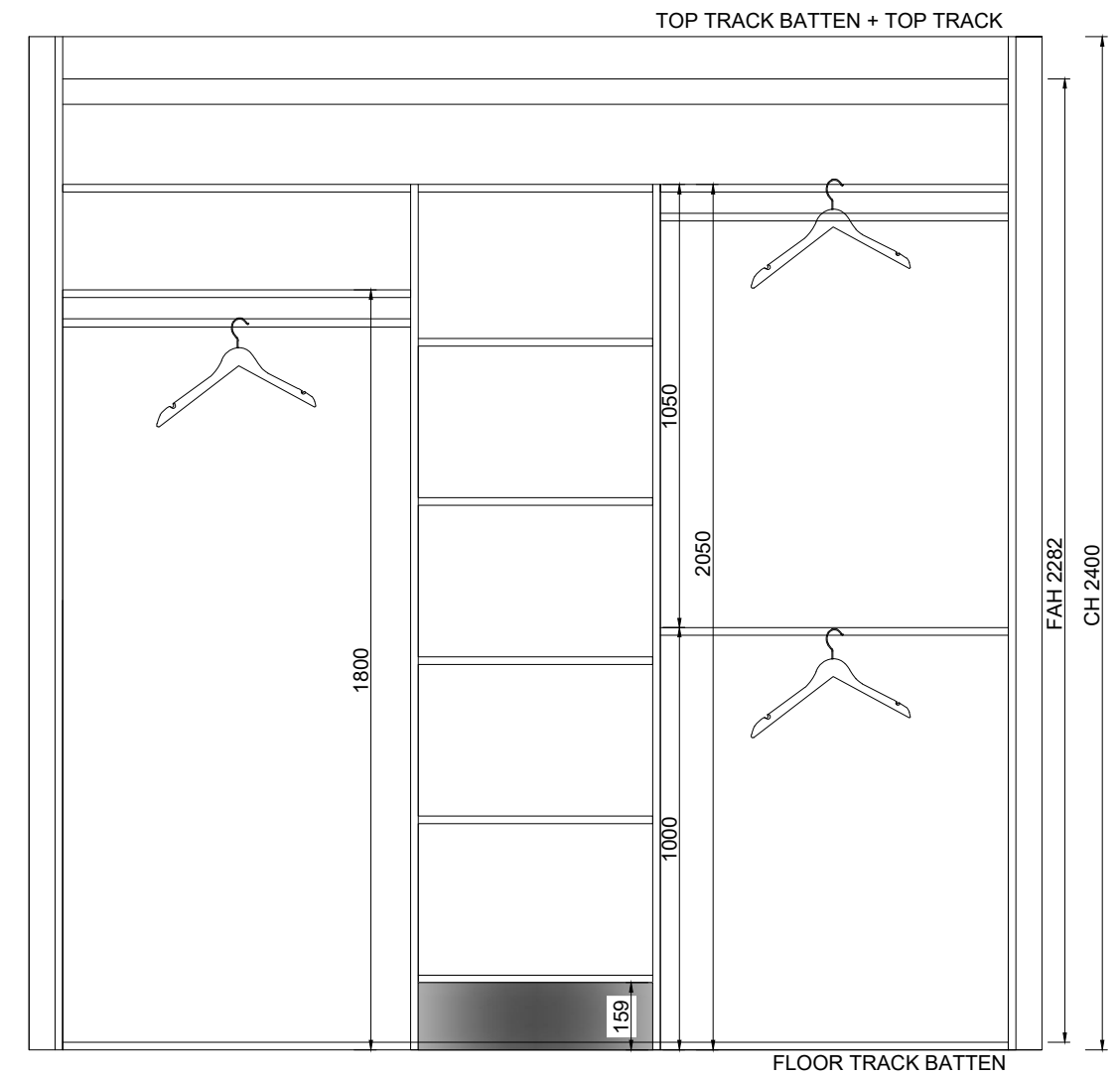
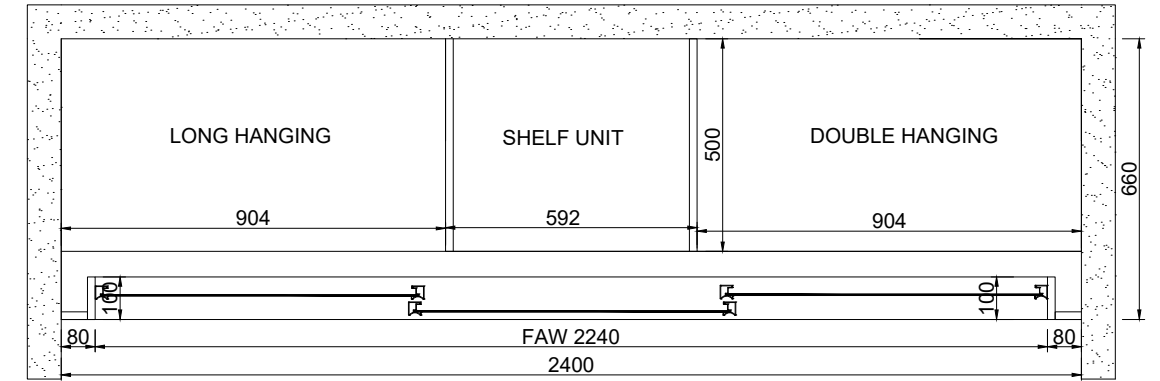


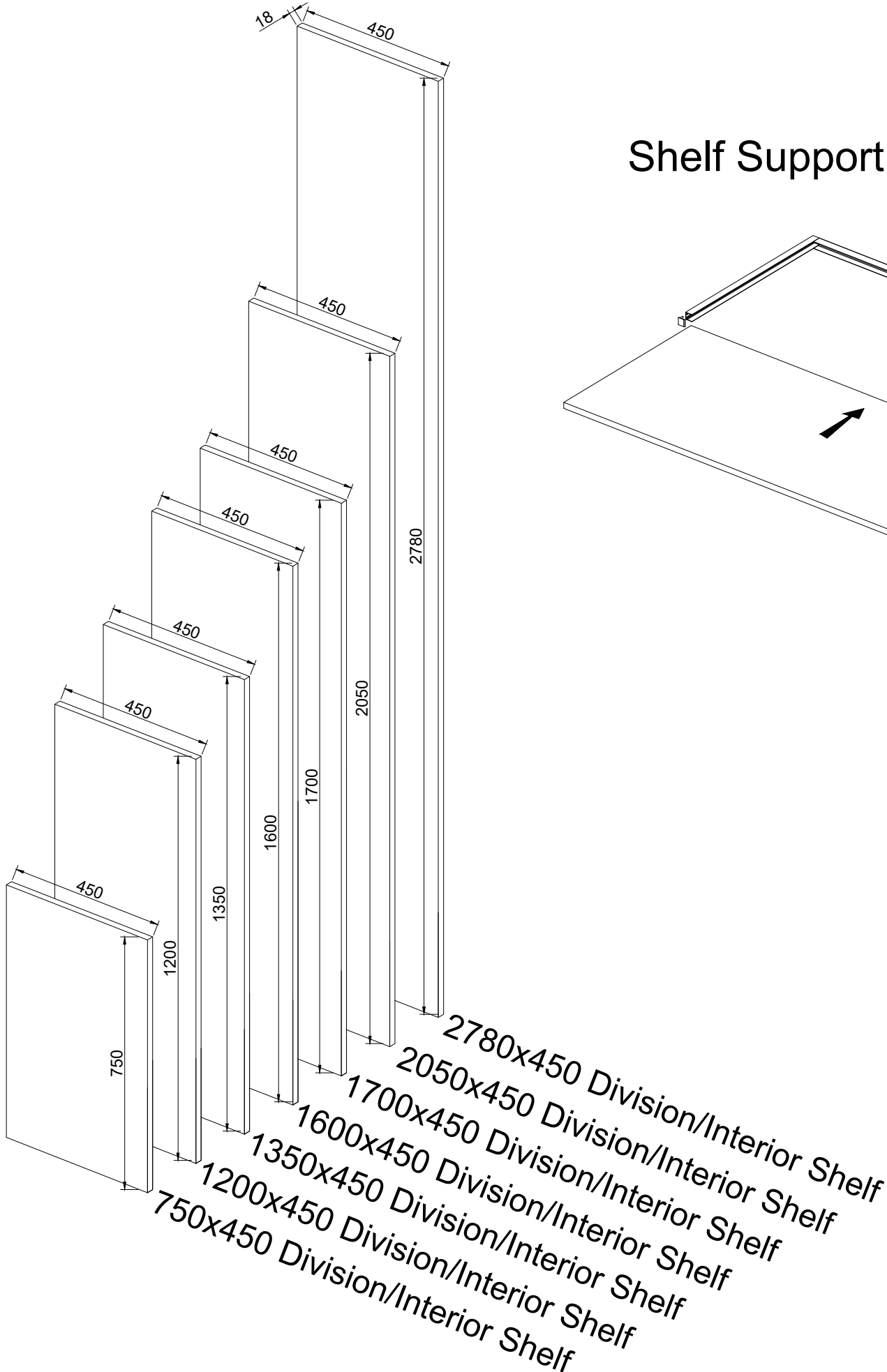
PARTIAL CARCASE



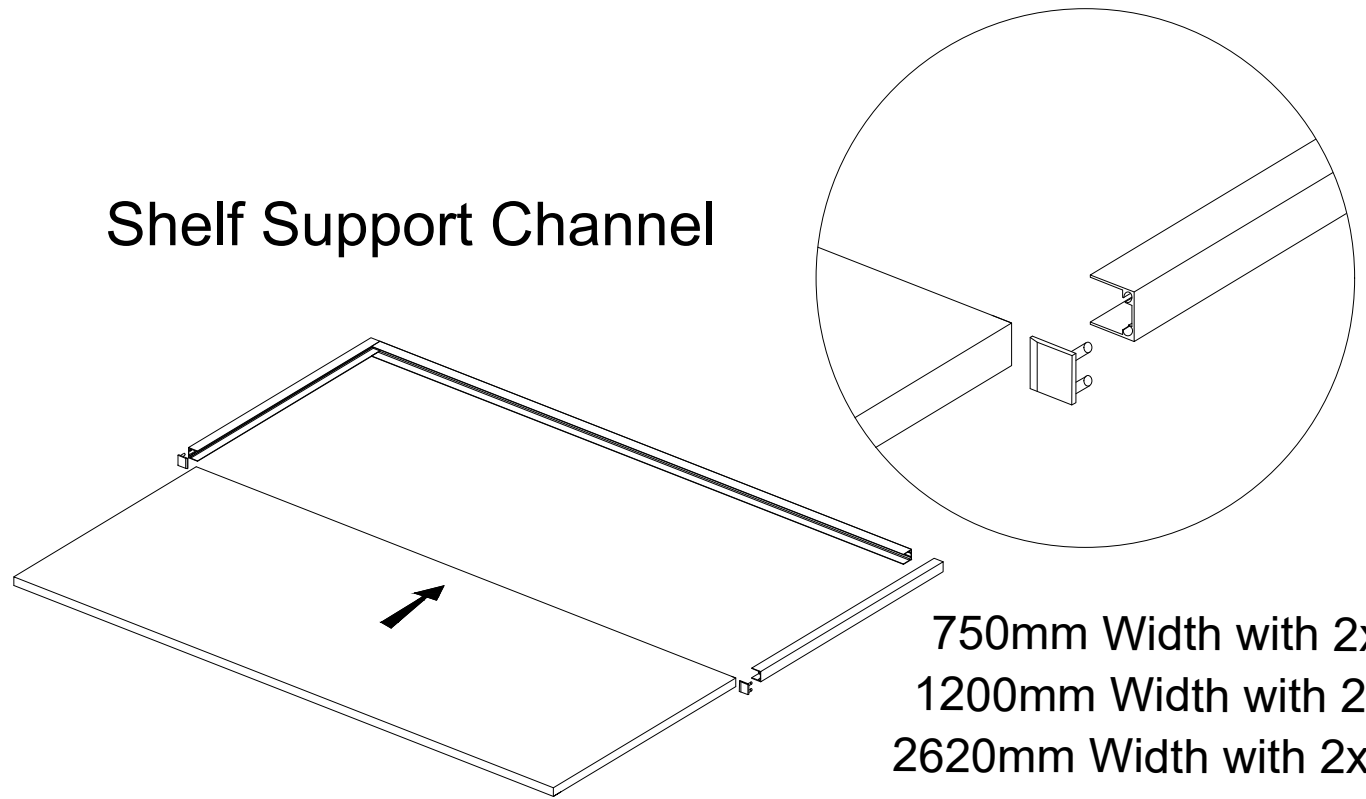
PARTIAL CARCASE



INTERNAL PANELS



Shelf Support Channel

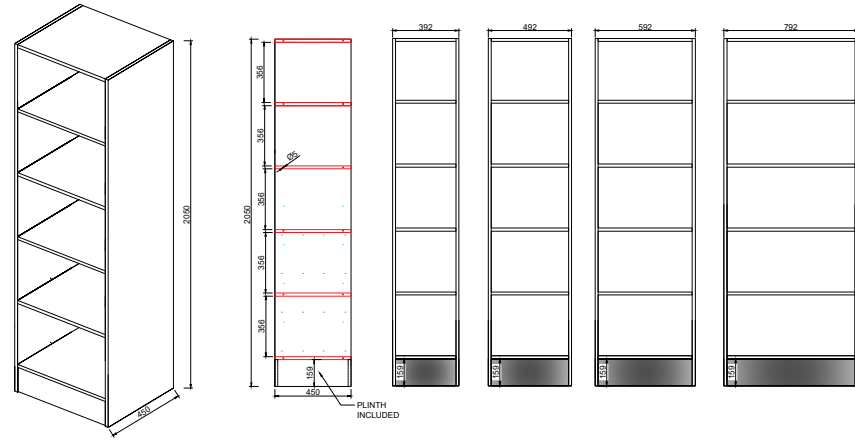


- 750mm Width with 2x Returns & Cover Caps
- 1200mm Width with 2x Returns & Cover Caps
- 2620mm Width with 2x Returns & Cover Caps

Silver anodised finish with grey end cover caps

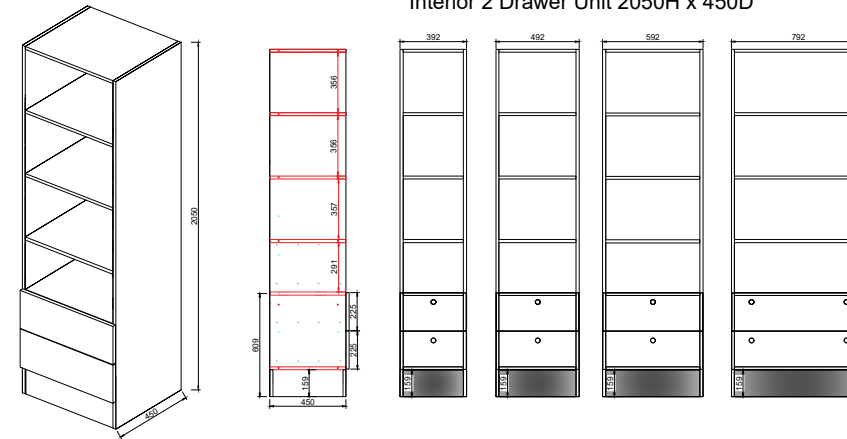
INTERIOR PANELS CONT.

Interior Shelf Unit 2050H x 450D



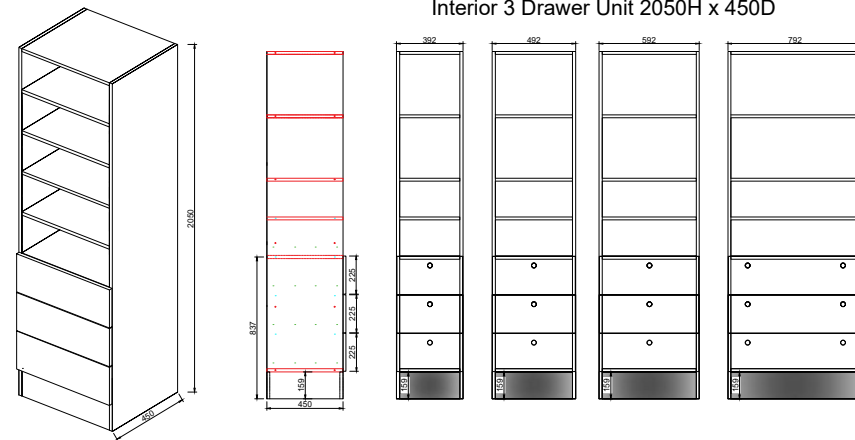
Interior Shelf Unit 392W
 Interior Shelf Unit 492W
 Interior Shelf Unit 592W
 Interior Shelf Unit 792W

Interior 2 Drawer Unit 2050H x 450D



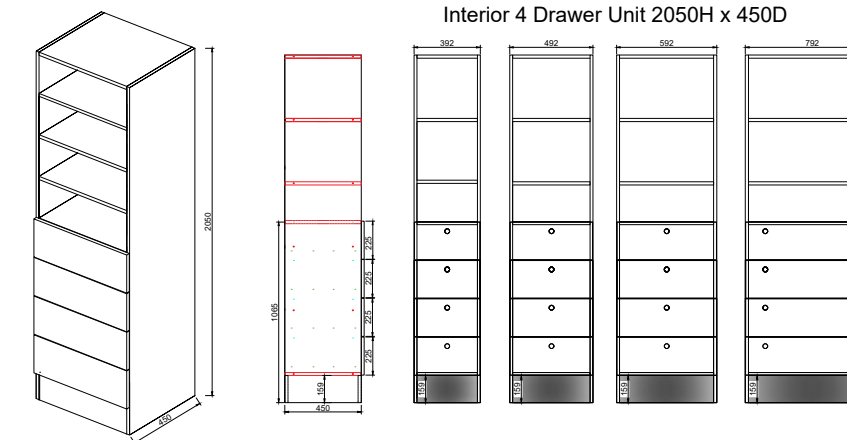
Interior 2 Drawer Unit 392W
 Interior 2 Drawer Unit 492W
 Interior 2 Drawer Unit 592W
 Interior 2 Drawer Unit 792W

Interior 3 Drawer Unit 2050H x 450D

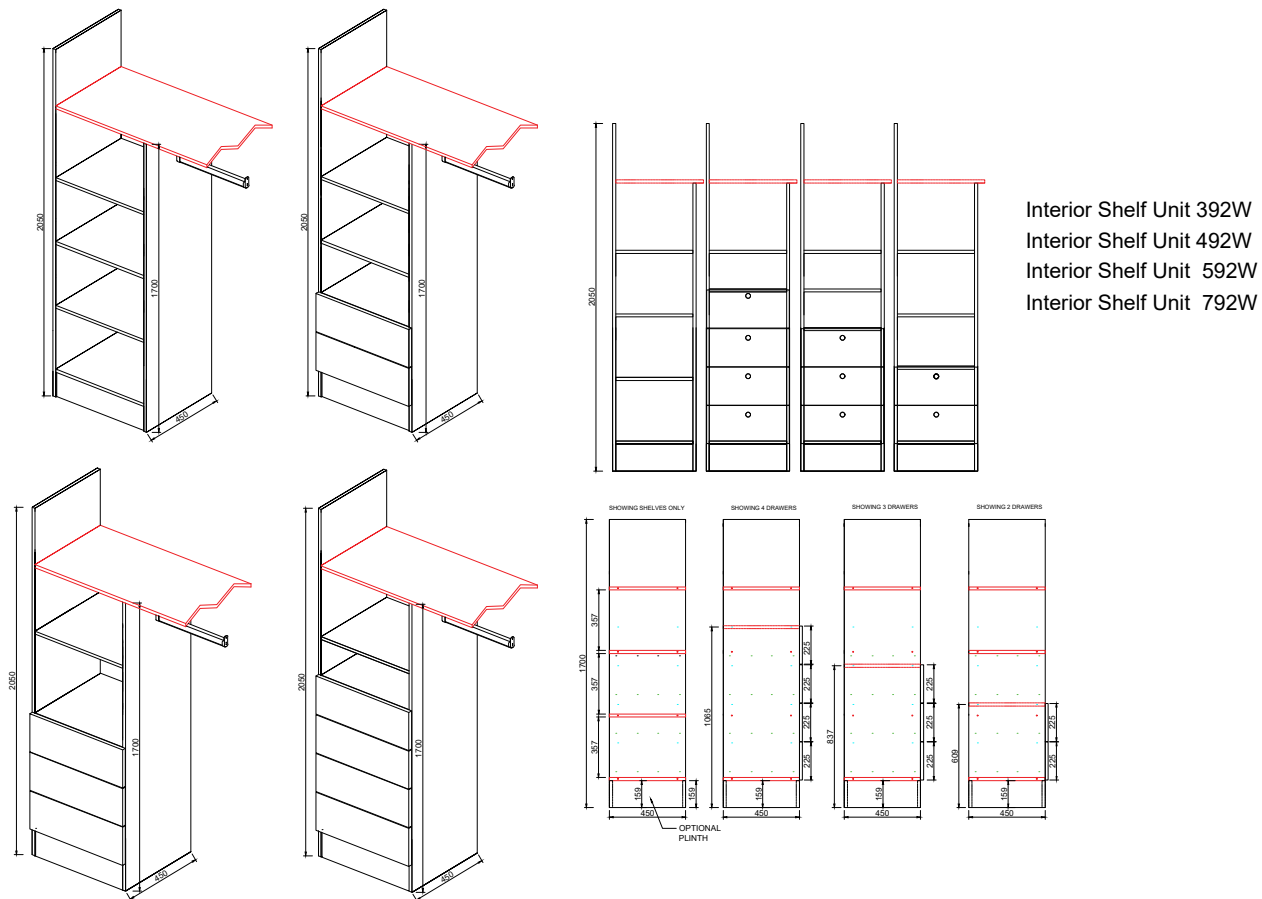


Interior 3 Drawer Unit 392W
 Interior 3 Drawer Unit 492W
 Interior 3 Drawer Unit 592W
 Interior 3 Drawer Unit 792W

Interior 4 Drawer Unit 2050H x 450D

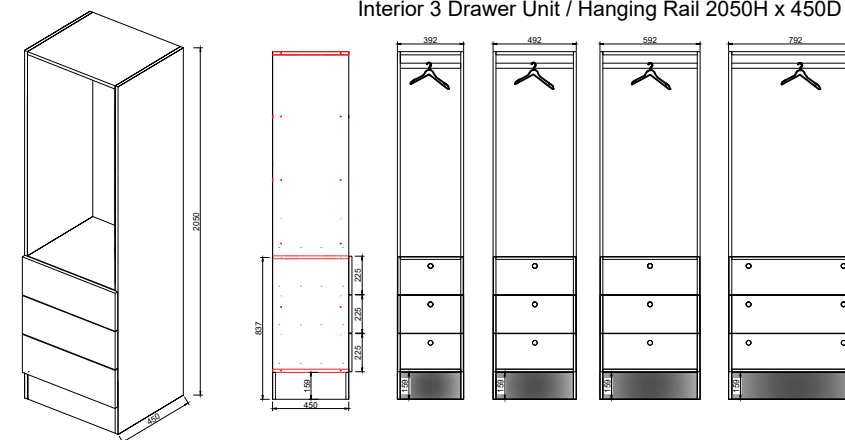


Interior 4 Drawer Unit 392W
 Interior 4 Drawer Unit 492W
 Interior 4 Drawer Unit 592W
 Interior 4 Drawer Unit 792W



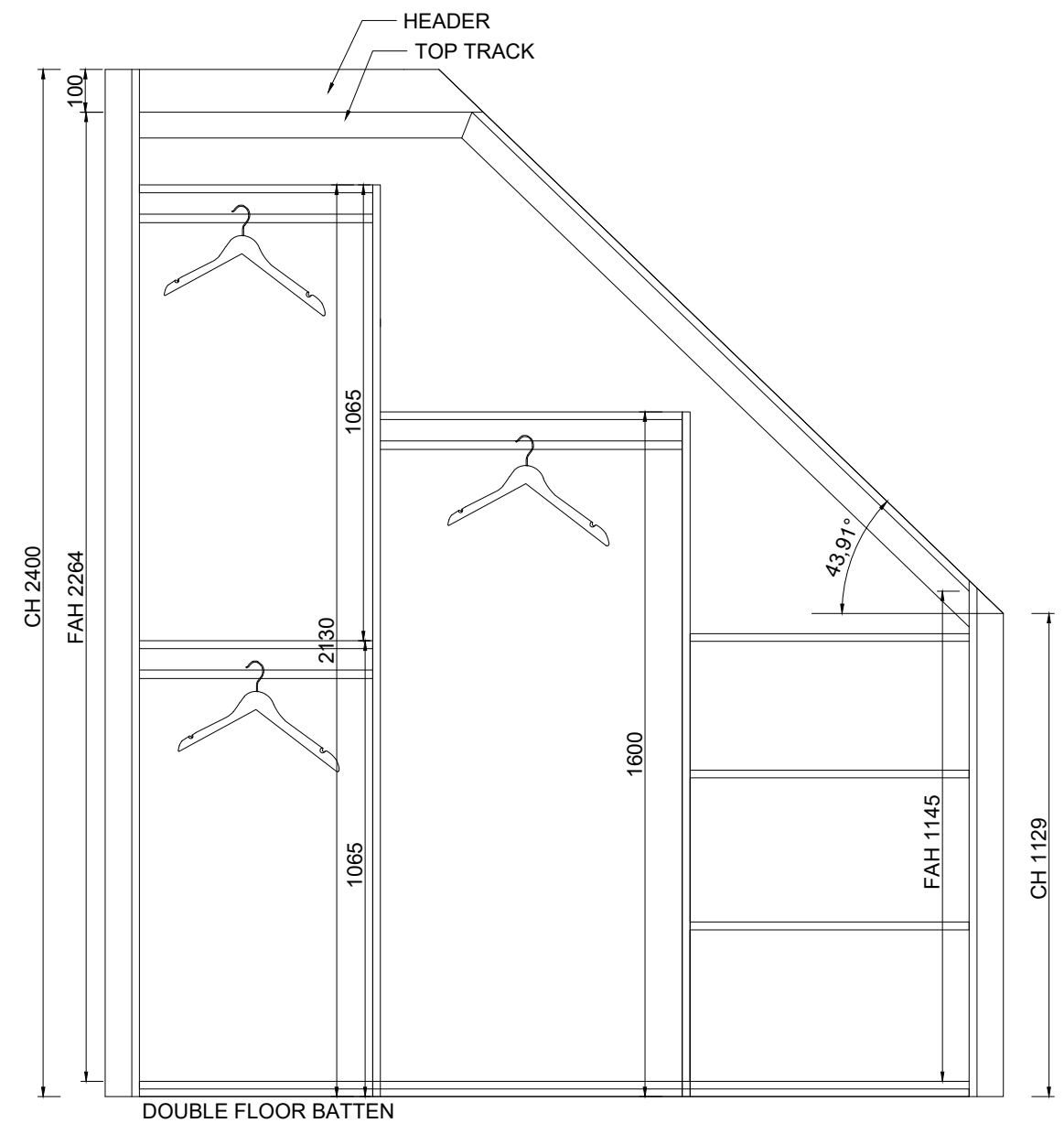
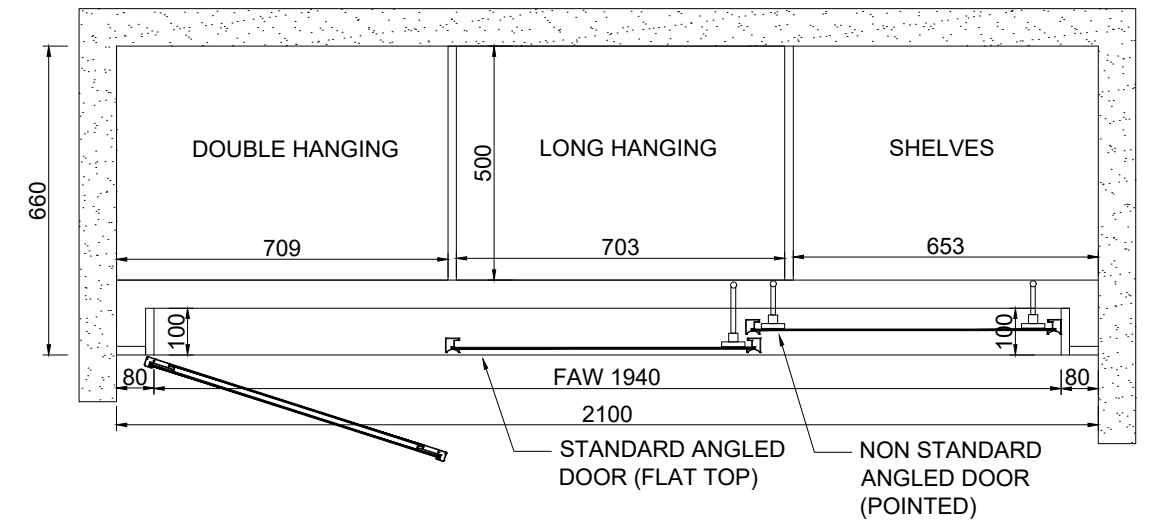
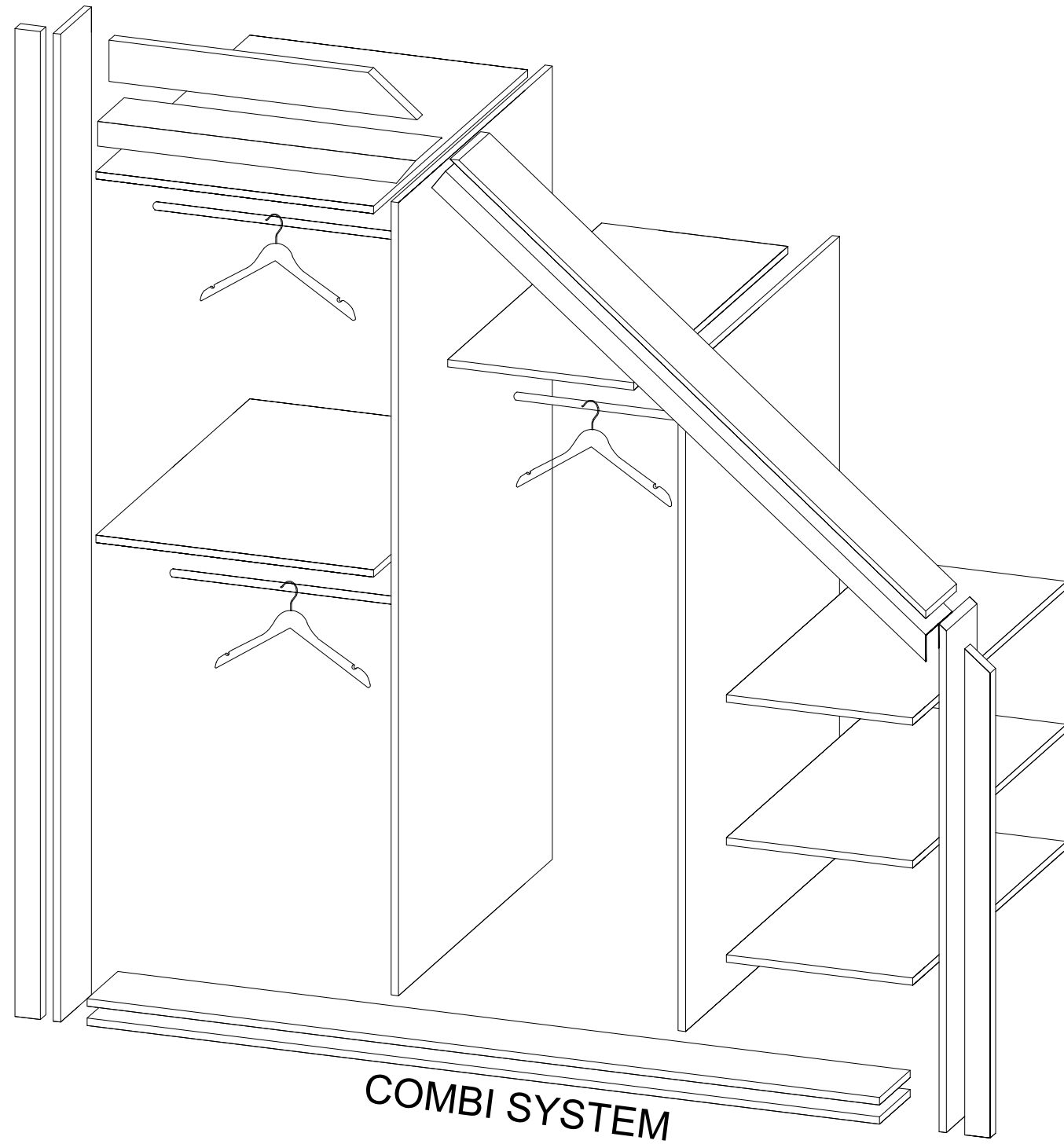
Interior Shelf Unit 392W
 Interior Shelf Unit 492W
 Interior Shelf Unit 592W
 Interior Shelf Unit 792W

Interior 3 Drawer Unit / Hanging Rail 2050H x 450D



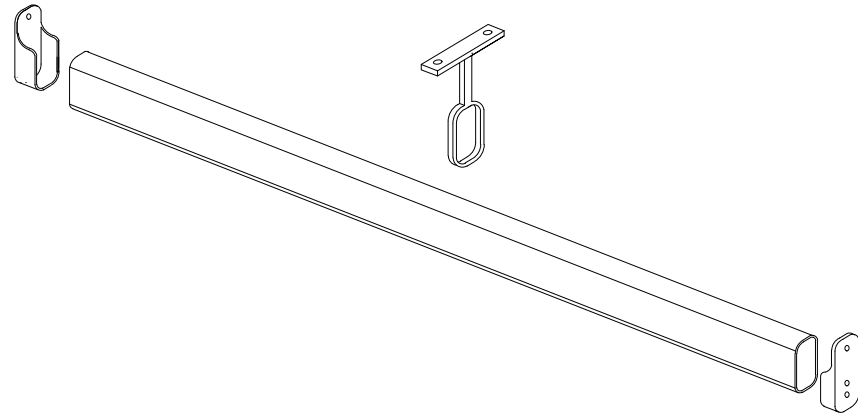
Interior 3 Drawer Unit / Hanging Rail 392W
 Interior 3 Drawer Unit / Hanging Rail 492W
 Interior 3 Drawer Unit / Hanging Rail 592W
 Interior 3 Drawer Unit / Hanging Rail 792W

COMBI SYSTEM PARTIAL



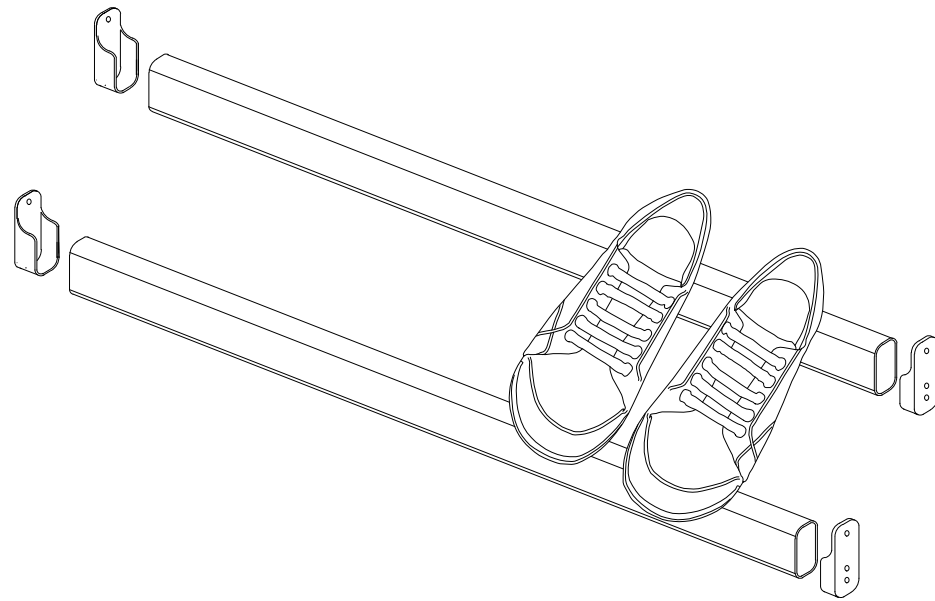
Accessories

HANGING RAILS



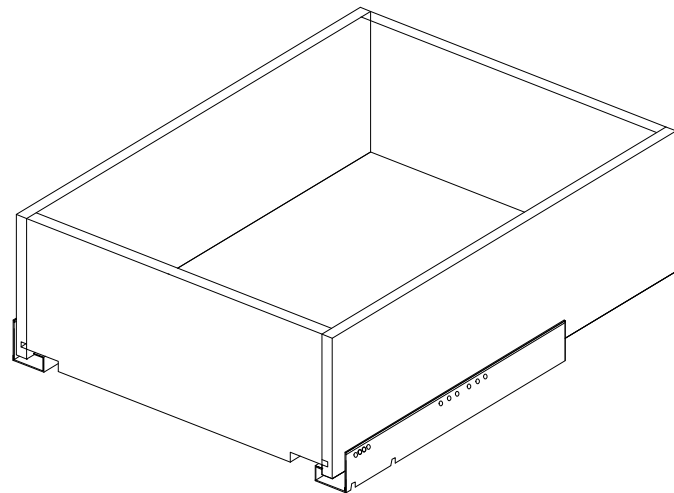
750mm Width including Fittings
1200mm Width including fittings
Curved Rail for corner wardrobes Inc fittings

SHOE RAIL FIXED



1200mm Width Fixed Shoe Rail Inc Fittings

DRAWER RUNNERS UPGRADE OPTION



Upgrade to Push to Open Runners